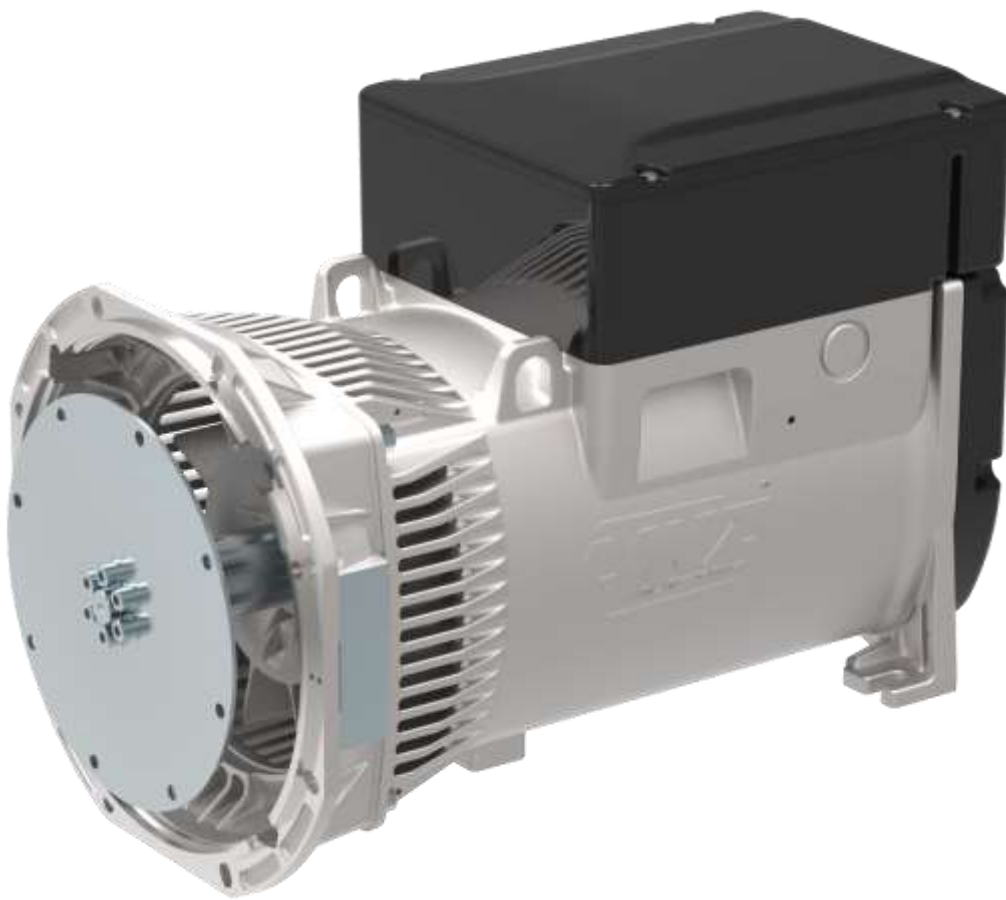




TECHNICAL DATA SHEET



ALTERNATOR E1C13M E/4

Single-Phase brushless synchronous alternator with capacitor - 4 poles



E1C13M E/4

COMMON DATA

Rated Power at 50Hz	kVA	11,5	
Rated Power at 60Hz	kVA	14,0	
Rated Power Factor		1,0	
Nominal Temperature	°C	40	
Control System		self-excited	
Execution		brushless	
Regulation Type		Capacitor	
Insulation Class		H	
Protection		IP21	
Maximum Over speed	rpm	2250	
Overload		110% of rated power for one hour in a cycle of 6 hours	
Air Flow Requirement	m ³ /min	4,7 at 50Hz	5,6 at 60Hz
R.F.I. Suppression		Standard EN55011	

REGULATION DATA

Capacitor	Capacitor with Aluminum Technology		
Voltage Regulation	±5%		
Sustained Short Circuit	> 250% of rated current		

WINDING DATA

Stator Winding	Single layer with auxiliary winding		
Rotor Winding	with damping cage		
Number of Leads of Stator	4		
Stator Winding Resistance	Ω	0,23 at 20°C	
Rotor Winding Resistance	Ω	1,35 at 20°C	
THD at full load	<5,5%		
THD at no load	<5,0%		

STANDARD

References	EN60034-1 ISO8528-3 EN55011
------------	-----------------------------

ON REQUEST

UL 1446, Systems of Insulating Materials - General CSA-C22.2 No. 0, Appendix B, General Requirements - Canadian Electrical Code, Part I
 CAN/CSA - C22.2 No. 100-14 (R2009) Motors and Generators, UL1004-1 2nd ed. Rotating Electrical Machines - General Requirements, UL1004-4 2nd ed. Electric Generators



E1C13M E/4

ELECTRICAL DATA

Frequency		50Hz - 1500rpm	60Hz - 1800rpm
Voltage Series Star	V	115/230	110/220
Rated Power in Class H (125°C/40°C)	kW	11,5	14,0
Rated Power in Class F (105°C/40°C)	kW	10,5	12,5
Rated Power Standby (150°C/40°C)	kW	12,3	14,5
Rated Power Standby (163°C/27°C)	kW	13,0	15,5

EFFICIENCY IN CL. H

4/4	80,0%	81,0%
3/4	81,0%	81,5%
2/4	77,0%	78,0%
1/4	74,0%	75,0%

MECHANICAL DATA

Bearing non drive end		6305-2Z-C3
Bearing drive end (B3/B14 form)		6208-2Z-C3
Weight of generator	in B2	kg 83,6
	in B3/B14	kg 79,5
	in B3/B9	kg 76,6

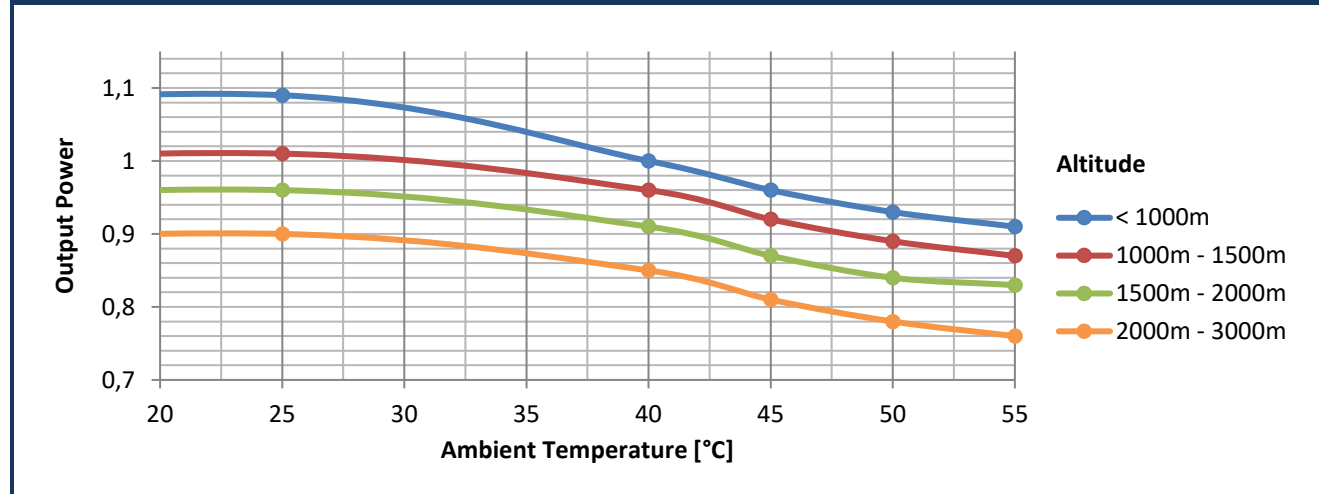


E1C13M E/4

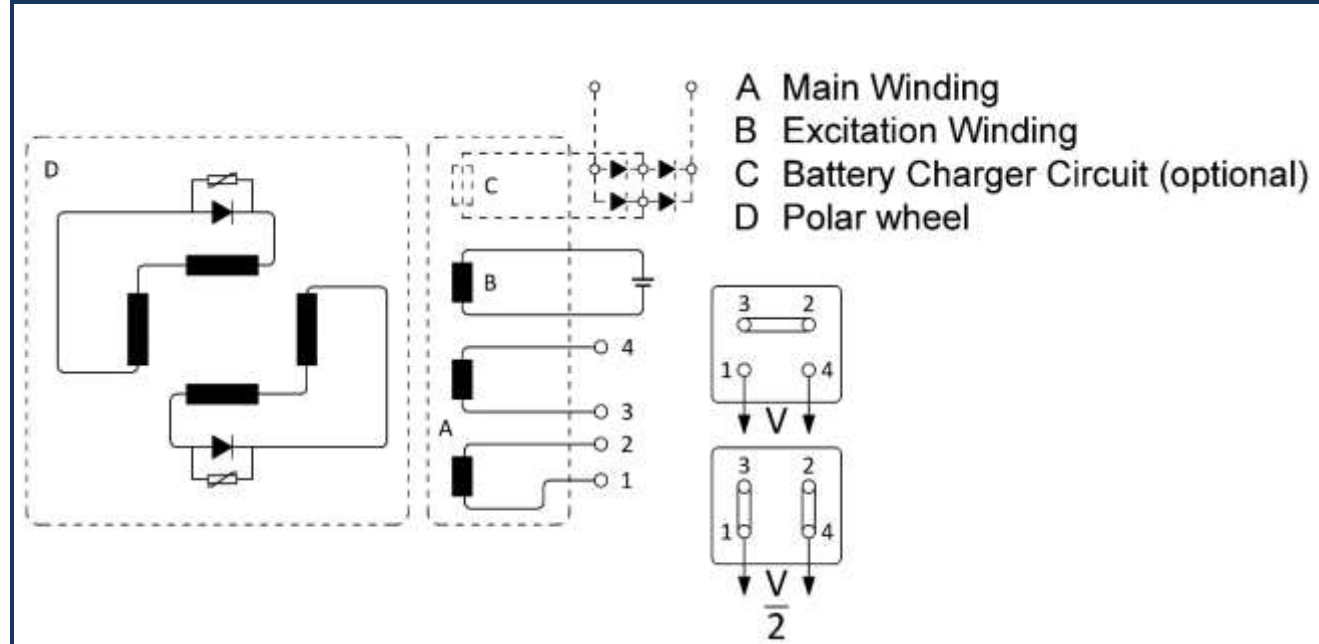
MOMENT OF INERZIA

B3/B9	kg·m ²	0,072
B2	kg·m ²	0,073
B3/B14	kg·m ²	0,072

DERATING CURVES



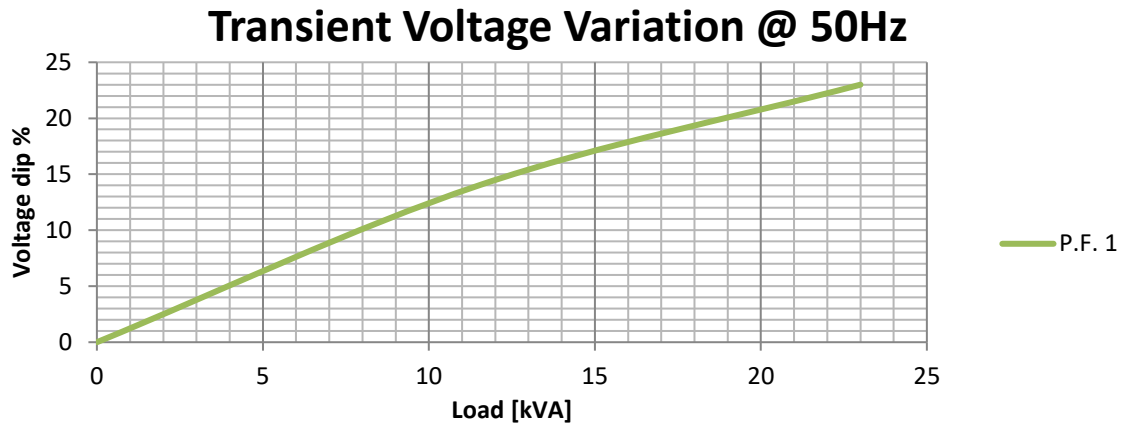
WIRING DIAGRAM



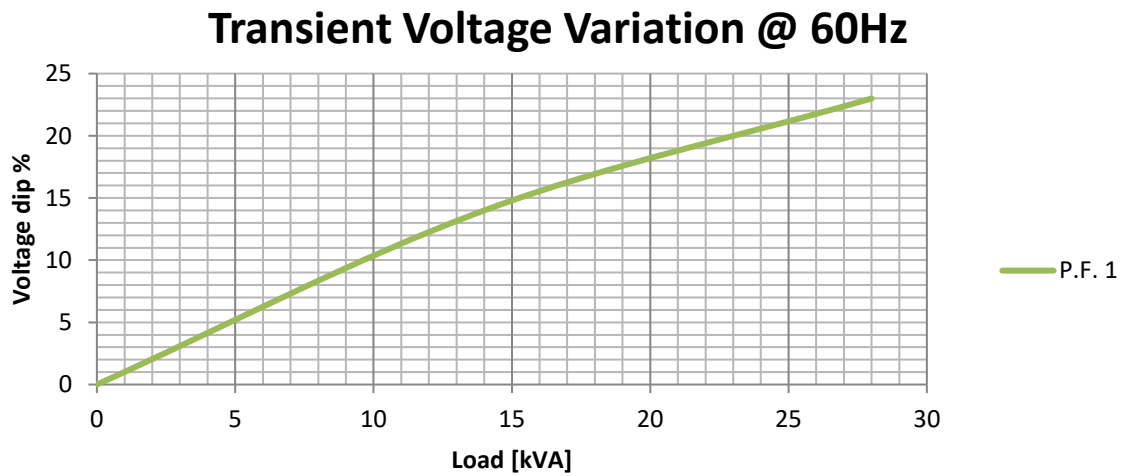


E1C13M E/4

TRANSIENT VOLTAGE VARIATION 50Hz



TRANSIENT VOLTAGE VARIATION 60Hz

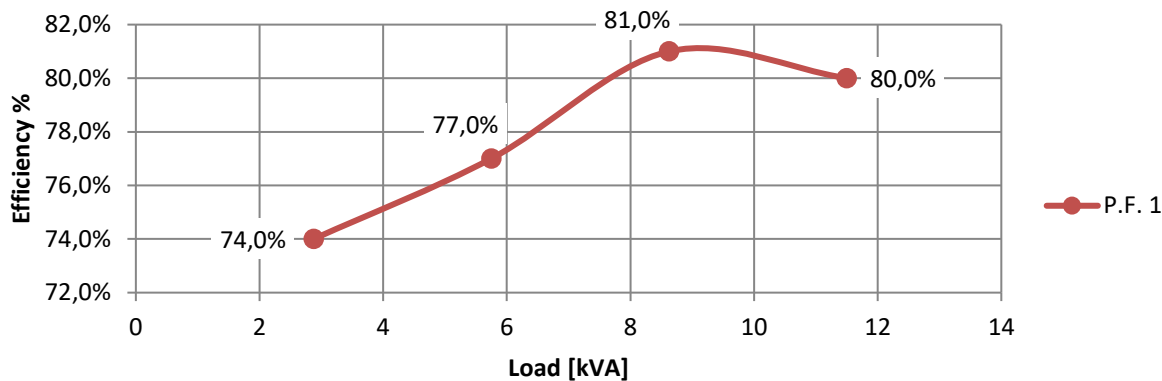




E1C13M E/4

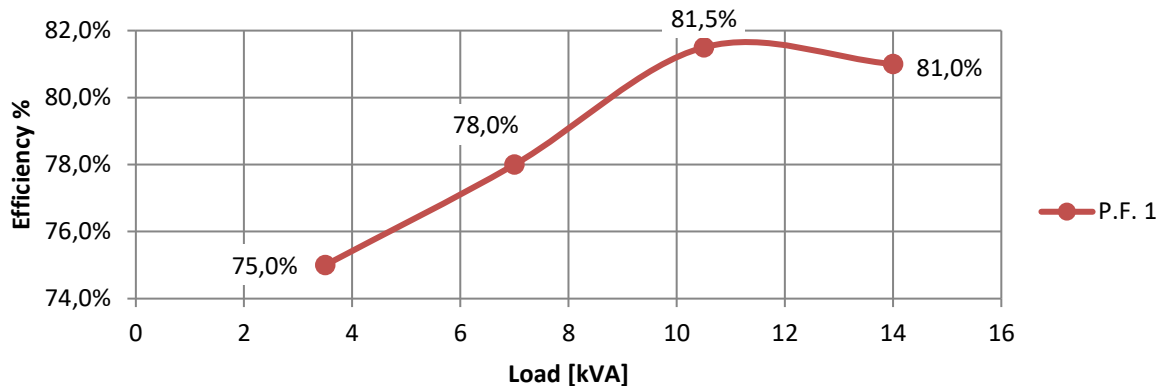
EFFICIENCY 50Hz

Efficiency Curves @ 50Hz



EFFICIENCY 60Hz

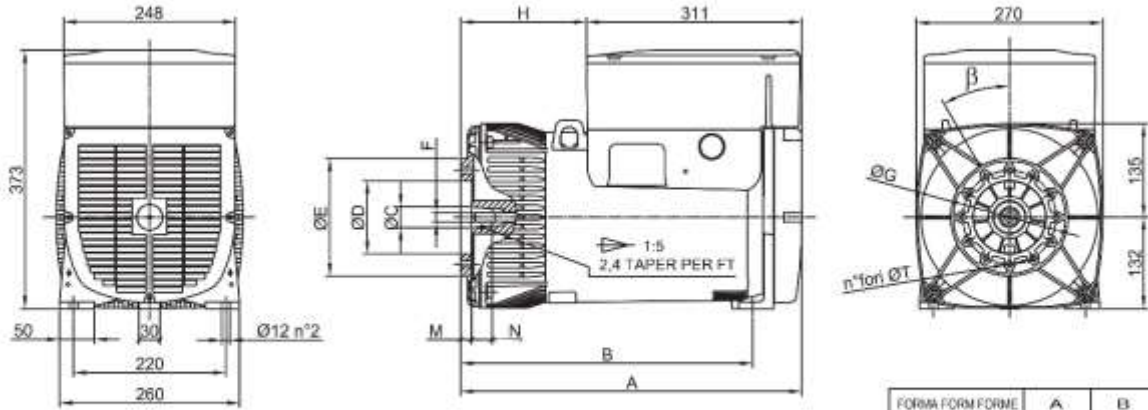
Efficiency Curves @ 60Hz





E1C13M E/4

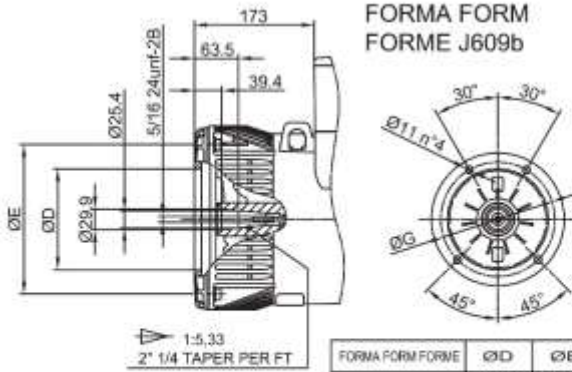
FORMA FORM FORME B3/B9



FORMA FORM FORME	ØC	ØD	ØE	F	ØG	H	M	N	n°fori	ØT	β
cono Ø30	Ø30	Ø105	Ø170	M14x1.5	Ø135	182	16	30	12	Ø9	30°
cono Ø38	Ø38	Ø125	Ø185	M18x1.5	Ø150	173	5	30	4	Ø11	β/2 45°

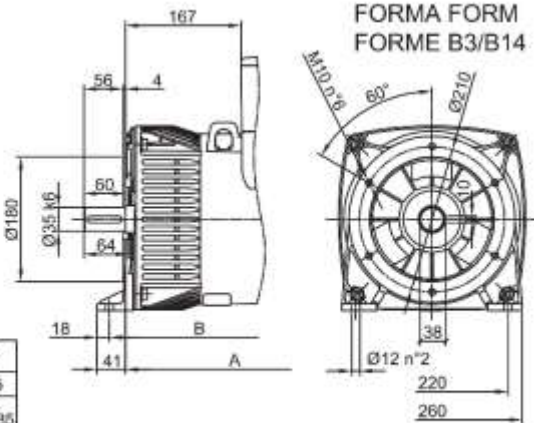
FORMA FORM FORME	A	B
B3B9 cono Ø30	493	422
B3B9 c. Ø38-J609b	484	413
B3B14	478	430
MD35 - LOMB. STD	526	455

FORMA FORM FORME J609b

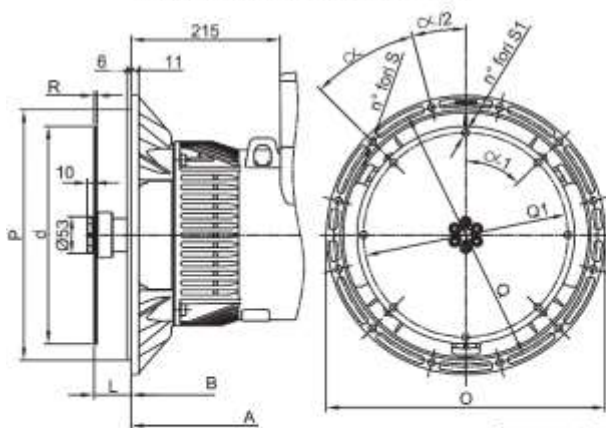


FORMA FORM FORME	ØD	ØE	ØG
J609b	Ø146	Ø192	Ø165
	Ø163.6	Ø216	Ø196.85
	Ø177.8		

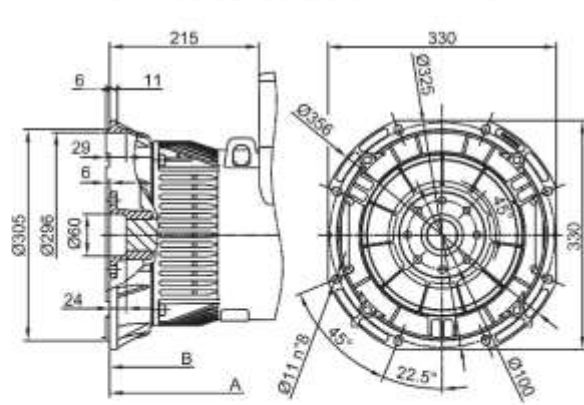
FORMA FORM FORME B3/B14



FORMA FORM FORME MD35



FORMA FORM FORME LOMBARDINI STD



SAE	FLANGIE - BRIDE - FLANGE					
	O	P	Q	n. fori	S	α
5	356	314.3	333.4	8	11	45°
4	403	362	381	12	11	30
3	451	409.6	428.6	12		30

SAE	GIUNTI A DISCO - DISC COUPLING - ACC. DISQUE						
	N.	L	d	Q1	n. fori	S1	α<1
6 1/2	30.2	215.9	200	6	9	60°	
7 1/2	30.2	241.3	222.25	8	9	45°	3
8	62	263.52	244.47	6	10.5	60	
10	53.8	314.32	295.27	8	10.5	45°	4.5
11 1/2	39.6	352.42	333.37	8	10.5	45°	