



## TECHNICAL DATA SHEET



## ALTERNATOR E1E10M H

*Single-Phase synchronous alternator with brushes and AVR - 2 poles*



## E1E10M H

### COMMON DATA

Rated Power at 50Hz	kVA	6,0	
Rated Power at 60Hz	kVA	7,2	
Rated Power Factor		1	
Nominal Temperature	°C	40	
Control System		self-excited	
Execution		with brushes	
Regulation Type		AVR	
Insulation Class		H	
Protection		IP21	
Maximum Over speed	rpm	4500	
Overload		110% of rated power for one hour in a cycle of 6 hours	
Air Flow Requirement	m <sup>3</sup> /min	3,6 at 50Hz	4,5 at 60Hz
R.F.I. Suppression		Standard EN55011	

### REGULATION DATA

AVR		HVR10E
Sensing		single-phase
Voltage Regulation		±1%

### WINDING DATA

Stator Winding		Single layer with auxiliary winding	
Rotor Winding		with damping cage	
Number of Leads of Stator		4	
Stator Winding Resistance	Ω	0,8 at 20°C	
Rotor Winding Resistance	Ω	9,8 at 20°C	
THD at full load		<5,5%	
THD at no load		<4%	
Excitation at no Load	Adc	1,6	
Excitation at full Load	Adc	4,8	

### STANDARD

References		EN60034-1 ISO8528-3 EN55011
------------	--	-----------------------------



## E1E10M H

### ELECTRICAL DATA

Frequency		50Hz - 3000rpm	60Hz - 3600rpm
Voltage Series Star	V	<b>115/230</b>	<b>110/220</b>
Rated Power in Class H (125°C/40°C)	kW	6,0	7,2
Rated Power in Class F (105°C/40°C)	kW	5,4	6,5

### EFFICIENCY IN CL. H

4/4	77,0%	79,0%
3/4	78,0%	79,5%

### MECHANICAL DATA

Bearing non drive end		6204-2Z-C3	
Bearing drive end (B3/B14 form)		6305-2Z-C3	
Weight of generator	in B2	kg	\
	in B3/B14	kg	30,3
	in B3/B9	kg	29,6

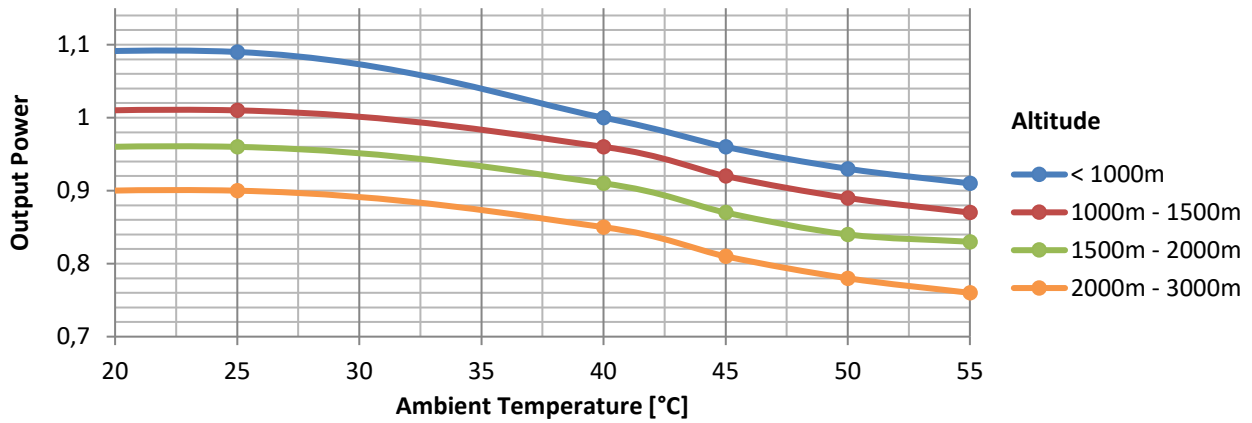


# E1E10M H

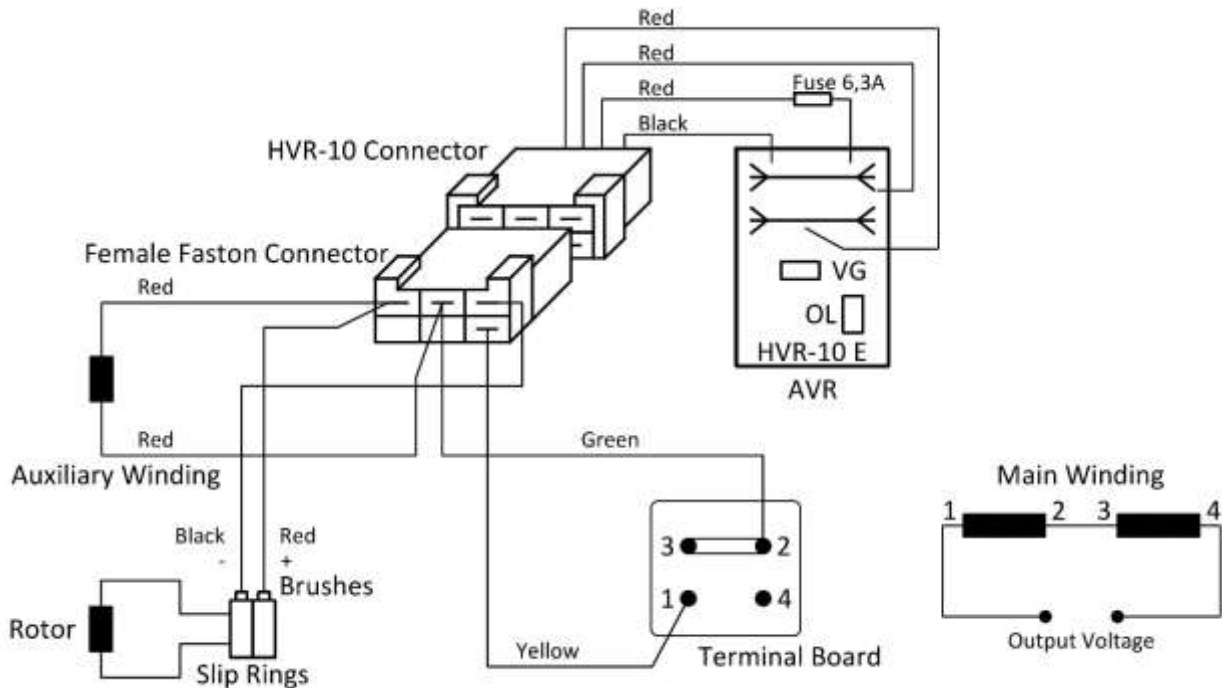
## MOMENT OF INERZIA

B3/B9	kg·m <sup>2</sup>	0,016
B3/B14	kg·m <sup>2</sup>	0,016

## DERATING CURVES



## WIRING DIAGRAM

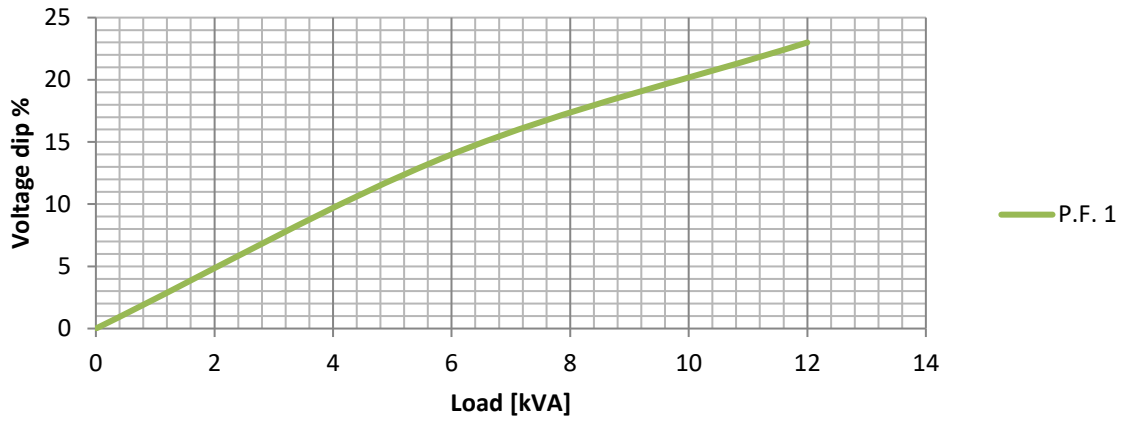




# E1E10M H

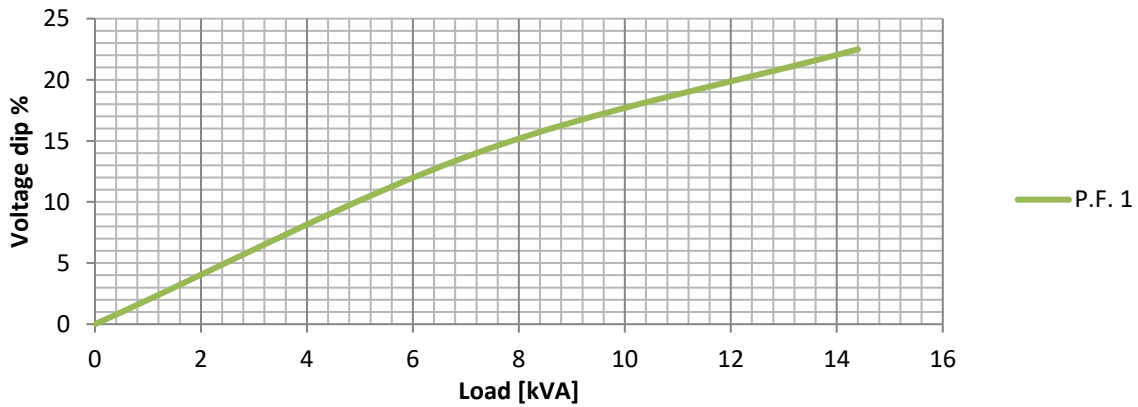
## TRANSIENT VOLTAGE VARIATION 50Hz

### Transient Voltage Variation @ 50Hz



## TRANSIENT VOLTAGE VARIATION 60Hz

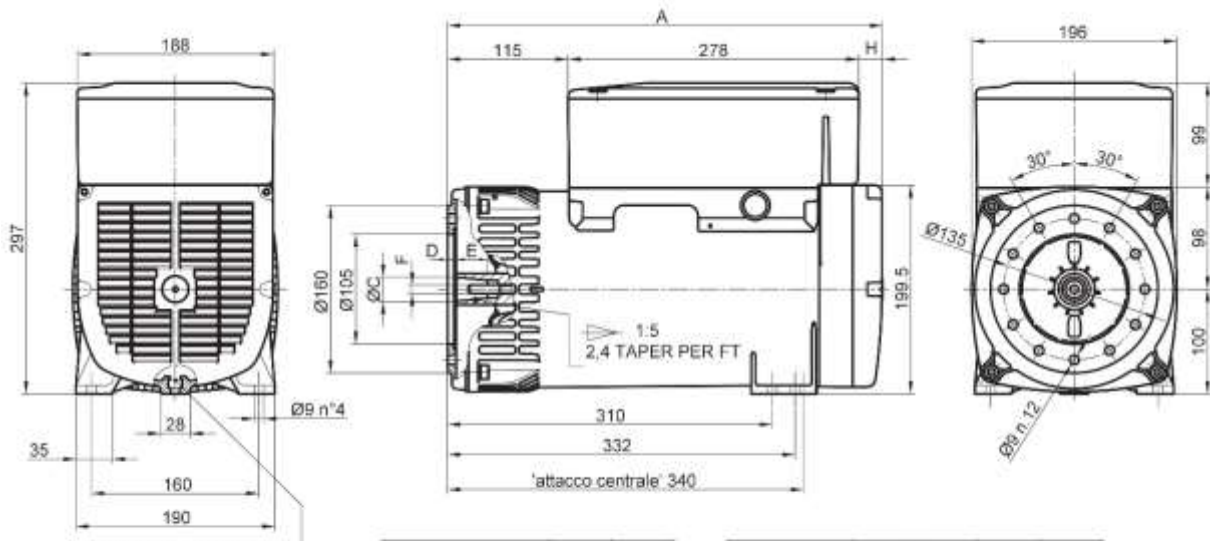
### Transient Voltage Variation @ 60Hz





# E1E10M H

FORMA FORM FORME B3/B9



DADO-NUT-ECROU-MUTTER  
TUERCA-M8 UNI 5687  
5/16x24 ANSI B18.2.2

TIPO TYPE TYP	A	H
E1S10M - E1E10M	394	1
E1S10L - E1E10L	416	23

FORMA FORM FORME FORME FORM FORMA	ØC	D	E	F
cono Ø23	Ø23	8	25	M8
cono Ø30	Ø30	16	30	M14x1.5

