



TECHNICAL DATA SHEET



ALTERNATOR E1E11M B

Single-Phase synchronous alternator with brushes and AVR - 2 poles



E1E11M B

COMMON DATA

Rated Power at 50Hz	kVA	10,0	
Rated Power at 60Hz	kVA	12,0	
Rated Power Factor		1	
Nominal Temperature	°C	40	
Control System		self-excited	
Execution		with brushes	
Regulation Type		AVR	
Insulation Class		H	
Protection		IP21	
Maximum Over speed	rpm	4500	
Overload		110% of rated power for one hour in a cycle of 6 hours	
Air Flow Requirement	m ³ /min	4,9 at 50Hz	5,9 at 60Hz
R.F.I. Suppression		Standard EN55011	

REGULATION DATA

AVR		HVR11E
Sensing		single-phase
Voltage Regulation		±1%

WINDING DATA

Stator Winding		Single layer with auxiliary winding	
Rotor Winding		with damping cage	
Number of Leads of Stator		4	
Stator Winding Resistance	Ω	0,4 at 20°C	
Rotor Winding Resistance	Ω	12,2 at 20°C	
THD at full load		<5,5%	
THD at no load		<4%	
Excitation at no Load	Adc	1,4	
Excitation at full Load	Adc	4,4	

STANDARD

References	EN60034-1 ISO8528-3 EN55011
------------	-----------------------------



E1E11M B

ELECTRICAL DATA

Frequency		50Hz - 3000rpm	60Hz - 3600rpm
Voltage Series Star	V	115/230	110/220
Rated Power in Class H (125°C/40°C)	kW	10,0	12,0
Rated Power in Class F (105°C/40°C)	kW	9,3	11,0

EFFICIENCY IN CL. H

4/4	80,0%	80,4%
3/4	81,0%	81,3%

MECHANICAL DATA

Bearing non drive end		6205-2Z-C3
Bearing drive end (B3/B14 form)		6207-2Z-C3
Weight of generator	in B2	kg
	in B3/B14	kg
	in B3/B9	kg

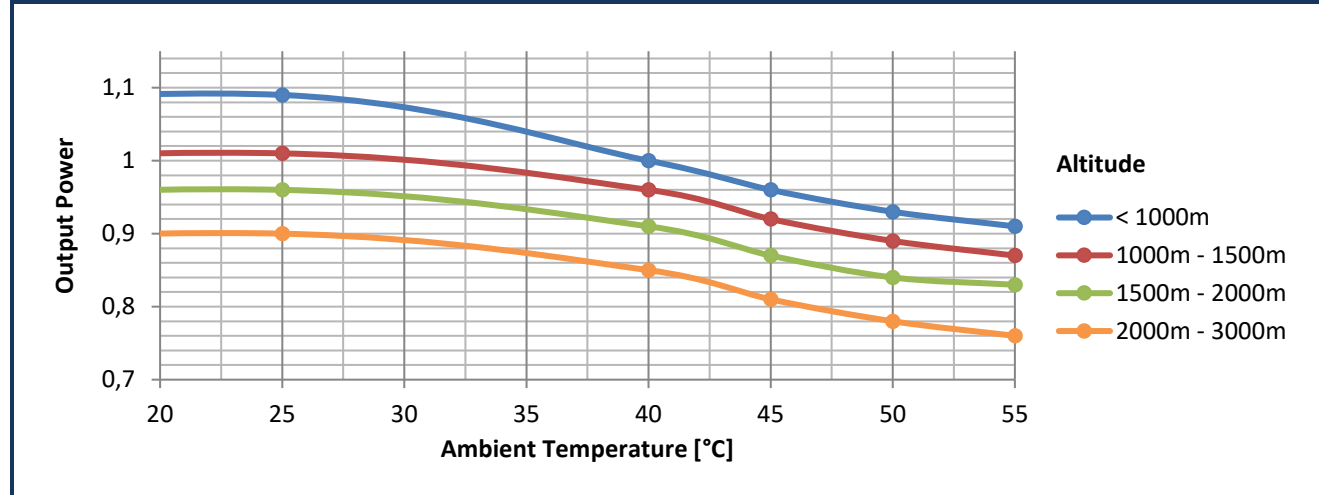


E1E11M B

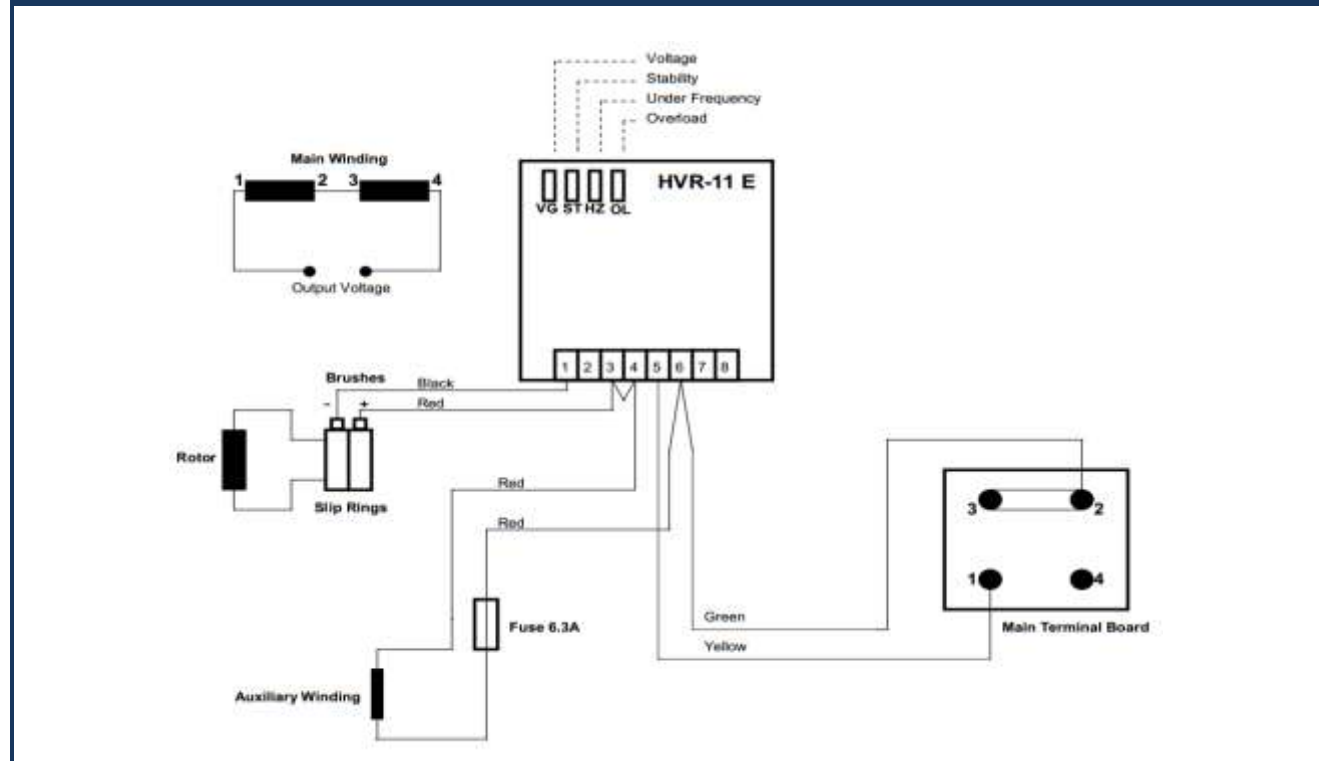
MOMENT OF INERZIA

B3/B9	kg·m ²	0,025
B3/B14	kg·m ²	0,025

DERATING CURVES



WIRING DIAGRAM

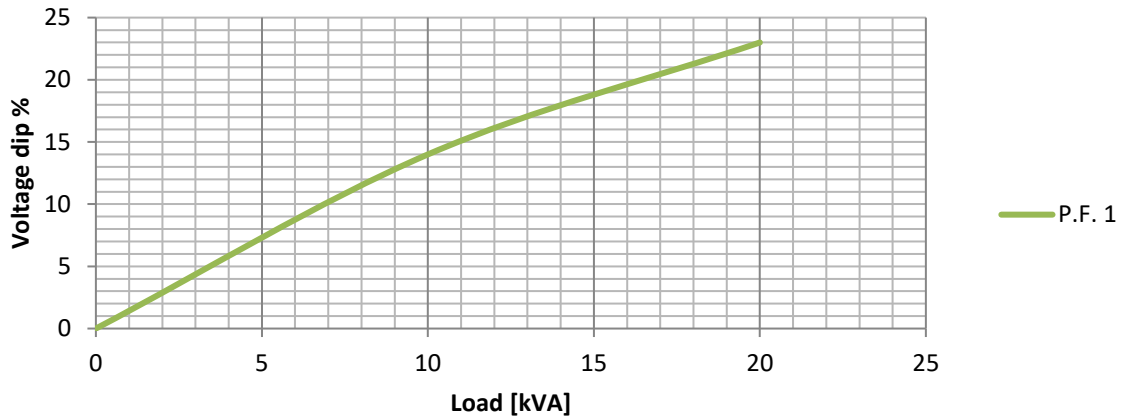




E1E11M B

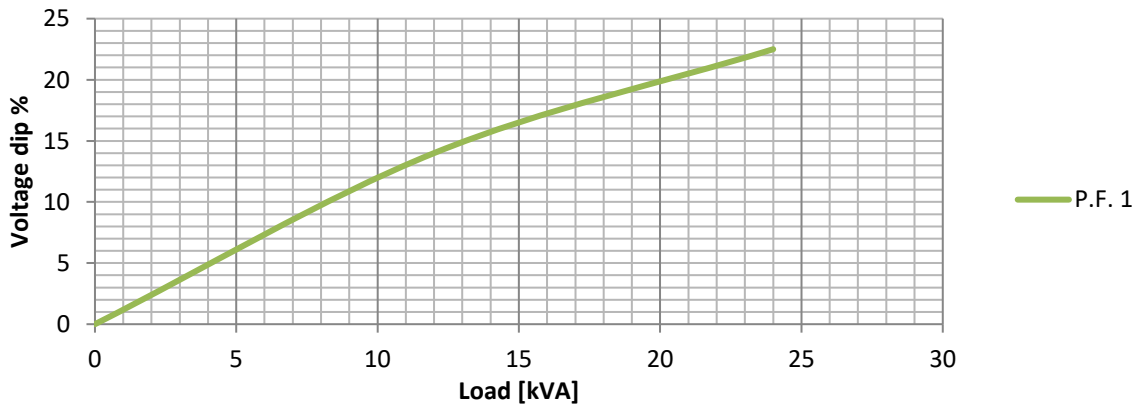
TRANSIENT VOLTAGE VARIATION 50Hz

Transient Voltage Variation @ 50Hz

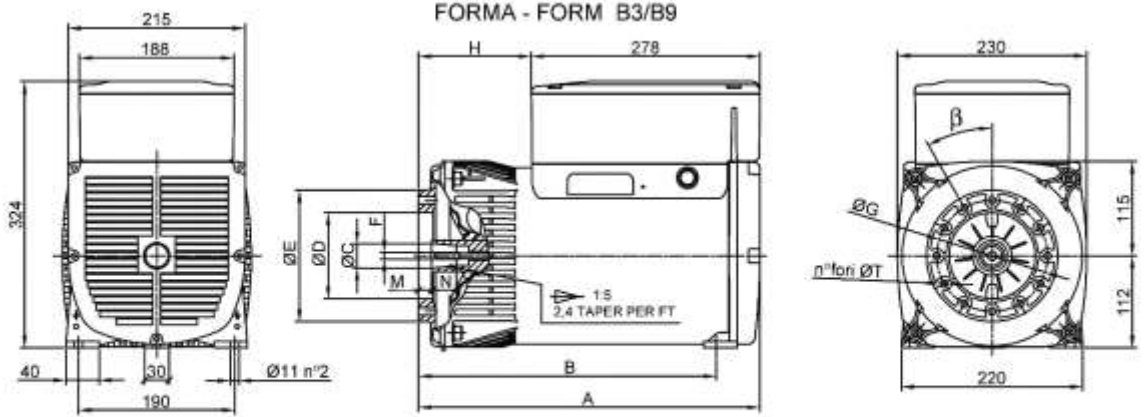


TRANSIENT VOLTAGE VARIATION 60Hz

Transient Voltage Variation @ 60Hz

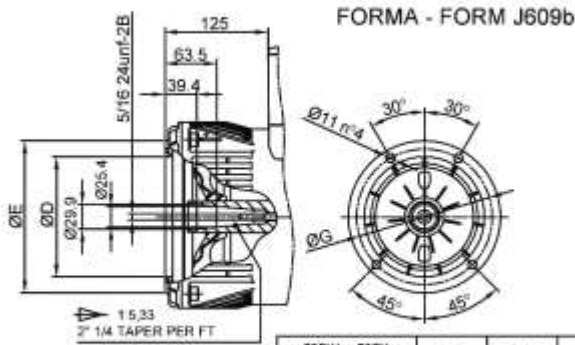


E1E11M B

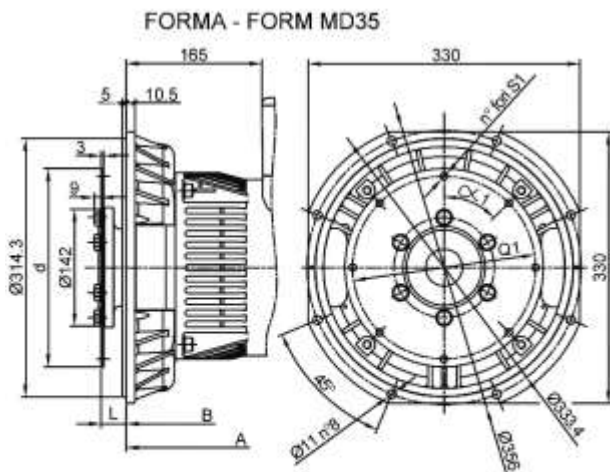
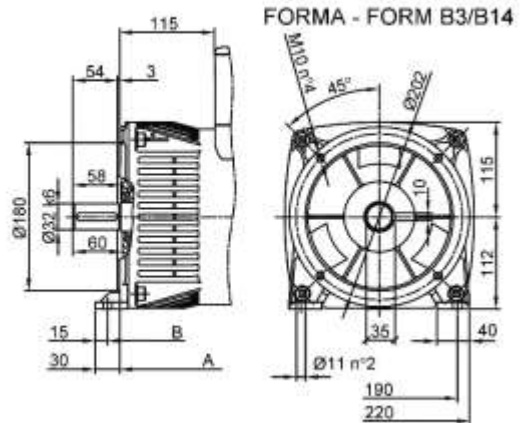


FORMA - FORM	A	B
B3-B9 cono Ø23 Ø30	415	362
B3-B9 cono Ø38	398.5	345.5
J609b	403	350
B3/B14	393	355
MD35-LOMB.STD	443	390

FORMA - FORM	ØC	ØD	ØE	F	ØG	H	M	N	n°fori	ØT	β
cono Ø23	Ø23	Ø105	Ø160	M8	Ø135	137	8	25	12	Ø9	30°
cono Ø30	Ø30			M14x1.5			16	30			
cono Ø38	Ø38	Ø125	Ø185	M18x1.5	Ø150	120.5	5	30	4	Ø11	β/2 45°



FORMA - FORM	ØD	ØE	ØG
J609b	Ø146	Ø185	Ø165
	Ø163.6	Ø219	Ø196.85
	Ø177.8		



SAE	GIUNTI A DISCO - COUPLING DISCS - JUNTAS A DISCOS					
N.	L	d	Q1	n. fori	S1	α1
6 1/2	30.2	215.9	200	6	9	60°
7 1/2	30.2	241.3	222.25	8	9	45°

