



TECHNICAL DATA SHEET



ALTERNATOR E1S10M I

Three-Phase synchronous alternator with brushes and compound - 2 poles



E1S10M I

COMMON DATA

Rated Power at 50Hz	kVA	9,0	
Rated Power at 60Hz	kVA	11,0	
Rated Power Factor		0,8	
Nominal Temperature	°C	40	
Control System		self-excited	
Execution		with brushes	
Regulation Type		compound	
Insulation Class		H	
Protection		IP21	
Maximum Over speed	rpm	4500	
Overload		110% of rated power for one hour in a cycle of 6 hours	
Air Flow Requirement	m ³ /min	3,6 at 50Hz	4,5 at 60Hz
R.F.I. Suppression		Standard EN55011	

REGULATION DATA

Compound	Compound
Voltage Regulation	±4%
Sustained Short Circuit	> 300% of rated current

WINDING DATA

Stator Winding	Single layer with auxiliary winding		
Rotor Winding	with damping cage		
Number of Leads of Stator	6		
Stator Winding Resistance	Ω	0,92 at 20°C	
Rotor Winding Resistance	Ω	22,7 at 20°C	
THD at full load	<4% (L-L)		
THD at no load	<3% (L-L)		
Excitation at no Load	Adc	1,2	
Excitation at full Load	Adc	4,2	

STANDARD

References	EN60034-1 ISO8528-3 EN55011
------------	-----------------------------

ON REQUEST

UL 1446, Systems of Insulating Materials - General CSA-C22.2 No. 0, Appendix B, General Requirements - Canadian Electrical Code, Part I



E1S10M I

ELECTRICAL DATA

Frequency		50Hz - 3000rpm	60Hz - 3600rpm
Voltage Series Star	V	400/230	480/277
Rated Power in Class H (125°C/40°C)	kVA	9,0	11,0
	kW	7,2	8,8
Rated Power in Class F (105°C/40°C)	kVA	8,3	10,0
	kW	6,64	8,0

EFFICIENCY IN CL. H

4/4	82,5%	82,5%
3/4	83,0%	83,0%

REACTANCES AND TIME CONSTANTS

Pcc	0,65
X _d - dir. axis synchronous	285%
X' _d - dir. axis transient	19,0%
X'' _d - dir. axis subtransient	6,0%
X _q - quad. axis reactance	165%
T' _{do} - O.C. field time constant	500ms
T' _d - Transient time constant	33ms
T'' _d - Sub-transient time constant	6,0ms

MECHANICAL DATA

Bearing non drive end	6204-2Z-C3	
Bearing drive end (B3/B14 form)	6305-2Z-C3	
Weight of generator	in B2 kg	\
	in B3/B14 kg	37,6
	in B3/B9 kg	36,9

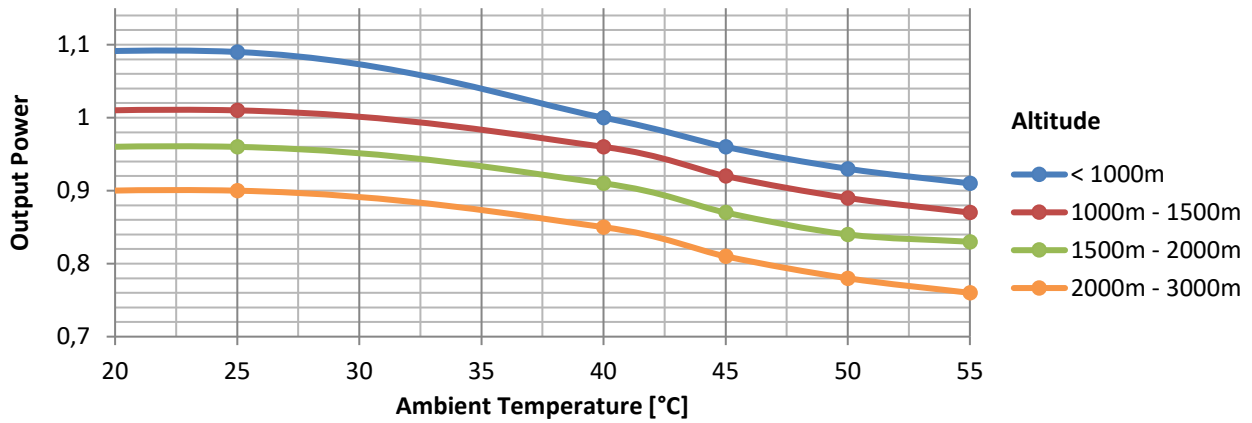


E1S10M I

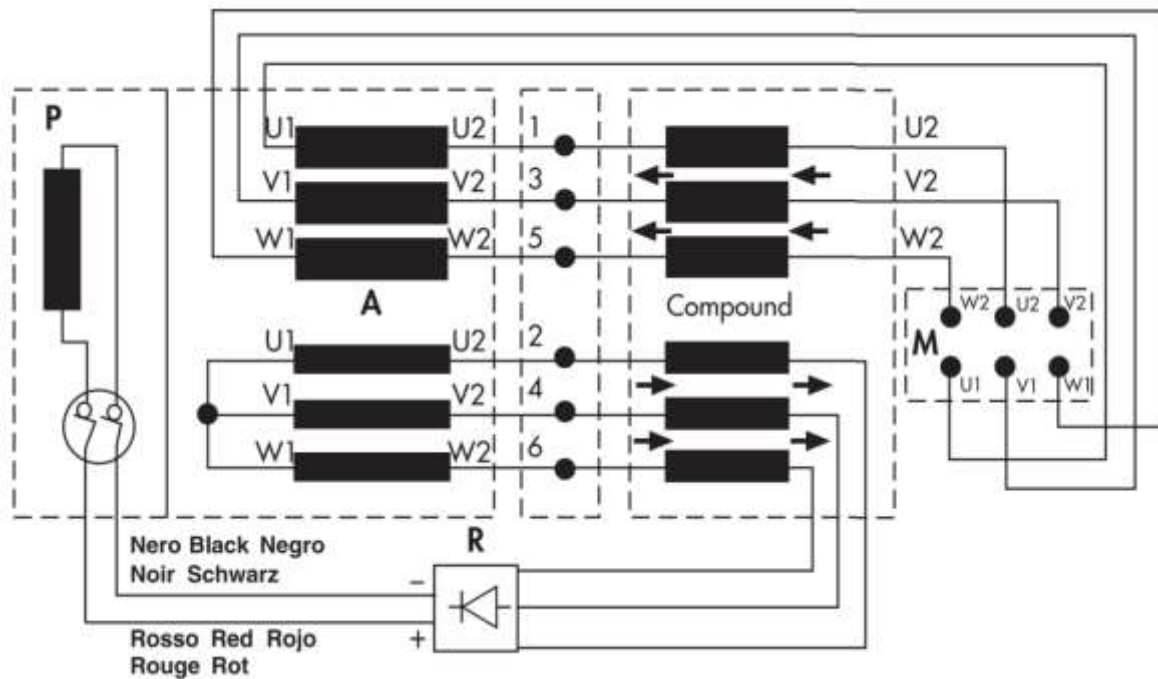
MOMENT OF INERZIA

B3/B9	kg·m ²	0,019
B3/B14	kg·m ²	0,019

DERATING CURVES



WIRING DIAGRAM

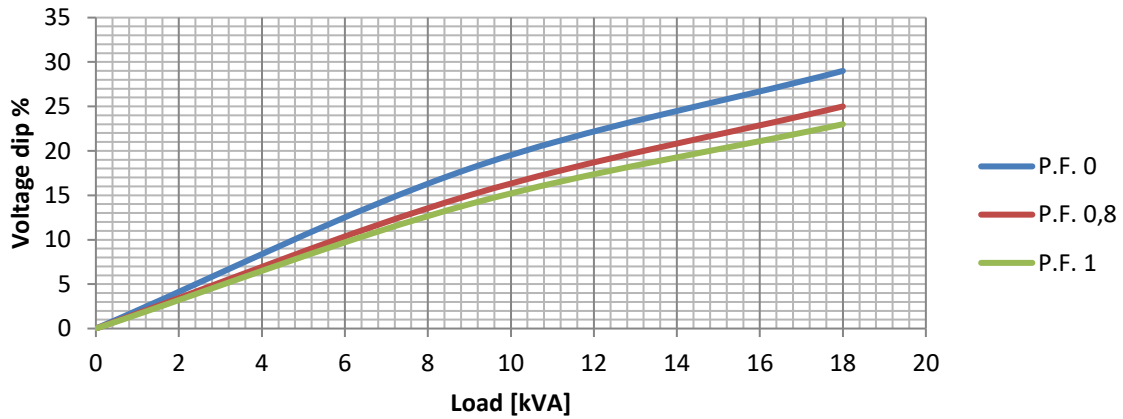




E1S10M I

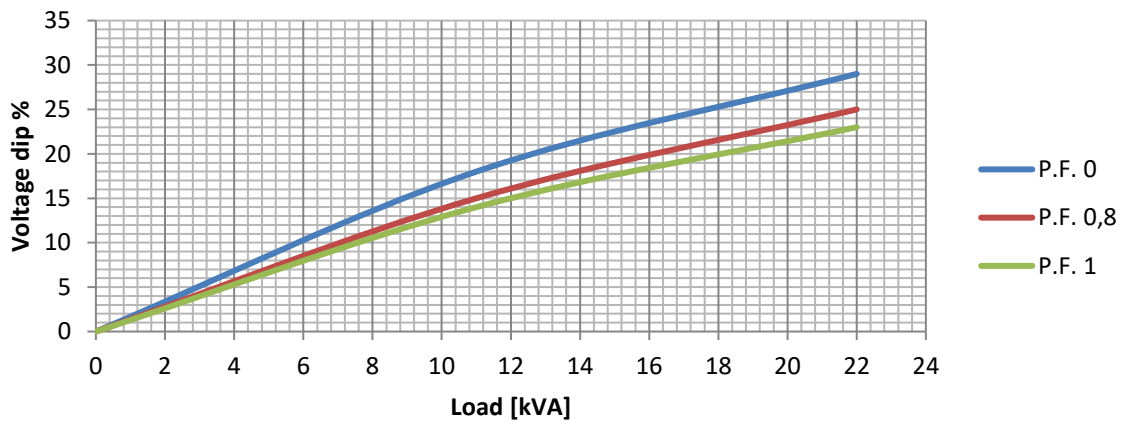
TRANSIENT VOLTAGE VARIATION 50Hz

Transient Voltage Variation @ 50Hz



TRANSIENT VOLTAGE VARIATION 60Hz

Transient Voltage Variation @ 60Hz





E1S10M I

FORMA FORM FORME B3/B9

