

TECHNICAL DATA SHEET



ALTERNATOR E2W13S/2 300DC-K

DC welder with brushes

E2W13S/2 300DC-K

COMMON DATA

Rated Power at 50Hz	kVA	10
Rated Power at 60Hz	kVA	12
Rated Power Factor		0,8
Nominal Temperature	°C	40
Control System		self-excited
Execution		with brushes
Insulation Class		H
Protection		IP21
Maximum Over speed	rpm	4500
Overload		110% of rated power for one hour in a cycle of 6 hours
Air Flow Requirement	m ³ /min	9,4 at 50Hz 11,2 at 60Hz
R.F.I. Suppression		Standard EN55011

REGULATION DATA

Regulation	Compound
Voltage Regulation	±4%

WINDING DATA

Rotor Winding	with damping cage
Number of Leads of Stator	6
Stator Winding Resistance	Ω 1,05 at 20°C
Rotor Winding Resistance	Ω 10,26 at 20°C

STANDARD

References	EN60034-1 ISO8528-3 EN55011
------------	-----------------------------

E2W13S/2 300DC-K

ELECTRICAL DATA

No load voltage	V_{AC}	80
Welding voltage	V_{AC}	20-32
Regulation range	A_{AC}	35-300
Max. current at 35%	A_{AC}	300
Max. current at 60%	A_{AC}	240
Max. current at 100%	A_{AC}	185
Stator Winding Resistance	Ω	0,023 at 20°C
Electrodes type		basic; cellulosic; inox, rutile
Electrodes diameter	mm	1 - 5(6)

MECHANICAL DATA

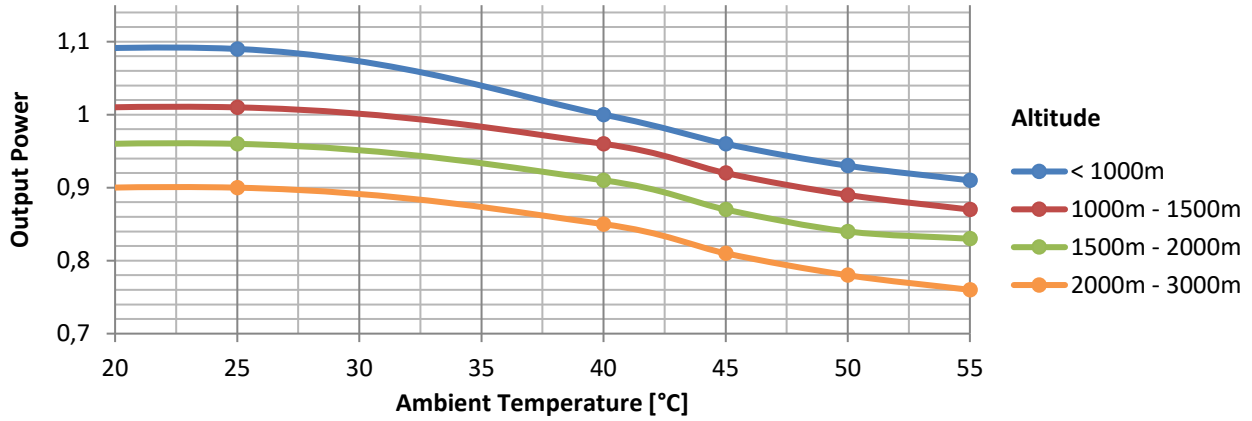
Bearing non drive end		6305-2Z-C3	
Bearing drive end (B3/B14 form)		6208-2Z-C3	
Weight of generator	in B2	kg	87
	in B3/B14	kg	82,9
	in B3/B9	kg	80

MOMENT OF INERZIA

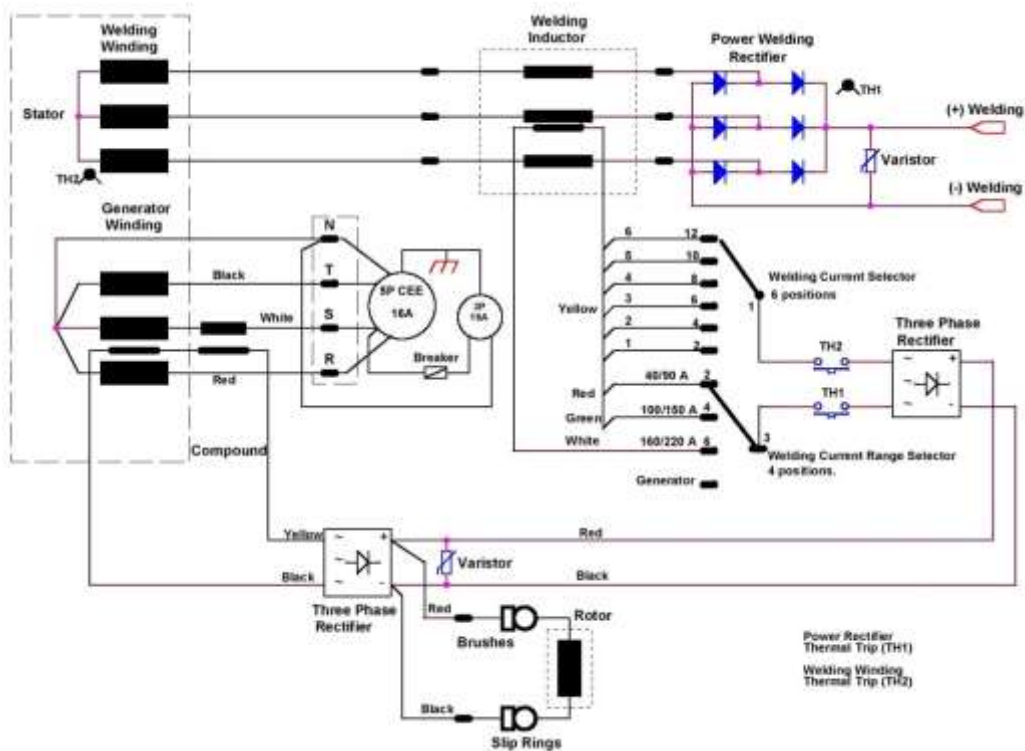
B3/B9	$kg \cdot m^2$	0,058
SAE 7½	$kg \cdot m^2$	0,052
SAE 8	$kg \cdot m^2$	\
SAE 10	$kg \cdot m^2$	\
SAE 11½	$kg \cdot m^2$	\
SAE 14	$kg \cdot m^2$	\
SAE 18	$kg \cdot m^2$	\
B3/B14	$kg \cdot m^2$	0,058

E2W13S/2 300DC-K

DERATING CURVES



WIRING DIAGRAM



E2W13S/2 300DC-K

