

TECHNICAL DATA SHEET



**ALTERNATOR PRO18L G/4**

*Three-Phase brushless synchronous alternator with AVR - 4 poles*

## PRO18L G/4

### COMMON DATA

Rated Power at 50Hz	kVA	60	
Rated Power at 60Hz	kVA	72	
Rated Power Factor		0,8	
Nominal Temperature	°C	40	
Control System		self-excited	
Execution		brushless	
Regulation Type		AVR	
Insulation Class		H	
Protection		IP23	
Maximum Over speed	rpm	2250	
Overload		110% of rated power for one hour in a cycle of 6 hours	
Air Flow Requirement	m <sup>3</sup> /min	11,7 at 50Hz	14 at 60Hz
R.F.I. Suppression		Standard EN55011	

### REGULATION DATA

AVR	HVR11	HVR30
Sensing	single-phase	three-phase
Voltage Regulation	±1%	±1%
Sustained Short Circuit	> 300% of rated current	

### WINDING DATA

Stator Winding	Double layer with auxiliary winding		
Rotor Winding	with damping cage		
Winding Pitch	2/3		
Number of Leads of Stator	12		
Stator Winding Resistance	Ω	0,041 at 20°C	
Rotor Winding Resistance	Ω	5,23 at 20°C	
Exciter Stator Resistance	Ω	13 at 20°C	
Exciter Rotor Resistance	Ω	0,72 at 20°C	
THD at full load	<3%		
THD at no load	<3%		
Excitation at no load	Adc	0,86	
Excitation at full load	Adc	2,4	

### STANDARD

References	EN60034-1 ISO8528-3 EN55011
------------	-----------------------------

### ON REQUEST

UL 1446, Systems of Insulating Materials - General CSA-C22.2 No. 0, Appendix B, General Requirements - Canadian Electrical Code, Part I

CAN/CSA - C22.2 No. 100-14 (R2009) Motors and Generators, UL1004-1 2nd ed. Rotating Electrical Machines - General Requirements, UL1004-4 2nd ed. Electric Generators

## PRO18L G/4

### ELECTRICAL DATA

Frequency		50Hz - 1500rpm					60Hz - 1800rpm				
Voltage	V	Double Delta	Series Star			Double Delta	Series Star				
		115/230	380/220	400/230	415/240	440/254	138/277	415/240	440/254	460/266	480/277
Rated Power in Class H (125°C/40°C)	kVA	40	60	60	58	50	48	60	68	72	72
	kW	32	48	48	46,4	40	38,4	48	54,4	57,6	57,6
Rated Power in Class F (105°C/40°C)	kVA	37	55	55	50	45	44,5	50	62	66	66
	kW	29,6	44	44	40	36	35,6	40	49,6	52,8	52,8
Rated Power Standby (150°C/40°C)	kVA	41,5	62	62	60	52	51	62	70	76	76
	kW	33,2	49,6	49,6	48	41,6	40,8	49,6	56	60,8	60,8
Rated Power Standby (163°C/27°C)	kVA	43	65	65	62	55	52,5	64	72	78	78
	kW	34,4	52	52	49,6	44	42	51,2	57,6	62,4	62,4

### EFFICIENCY IN CL. H

4/4			89,6%						91,4%
3/4			90,1%						91,8%
2/4			87,5%						89,1%
1/4			82,4%						84,3%

### REACTANCES AND TIME CONSTANTS

pcc		0,63								
X <sub>d</sub> - dir. axis synchronous		288%	260%	233%	179%	290%	292%	283%	260%	
X' <sub>d</sub> - dir. axis transient		23,3%	21,0%	18,9%	14,5%	23,4%	23,6%	22,9%	21,0%	
X'' <sub>d</sub> - dir. axis subtransient		7,8%	7,0%	6,3%	4,8%	7,8%	7,9%	7,6%	7,0%	
X <sub>q</sub> - quad. axis reactance		164%	148%	133%	102%	165%	166%	161%	148%	
T' <sub>do</sub> - O.C. field time constant		195ms								
T' <sub>d</sub> - Transient time constant		15ms								
T'' <sub>d</sub> - Sub-transient time constant		9ms								

### MECHANICAL DATA

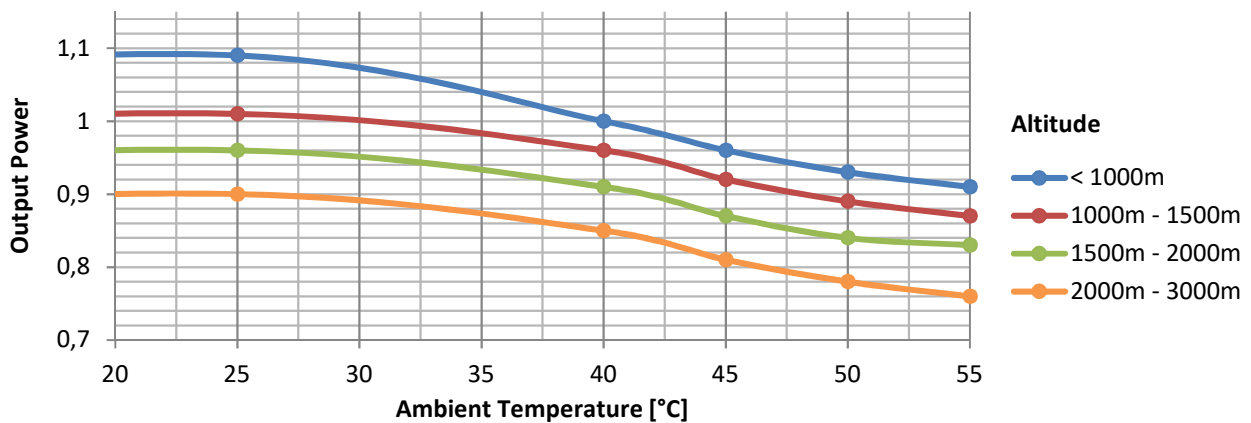
Bearing non drive end		6307-2RS-C3	
Bearing drive end (B3/B14 form)		6309-2RS-C3	
Weight of generator	in B2	kg	267,5
	in B3/B14	kg	269,5
	in B3/B9	kg	\

# PRO18L G/4

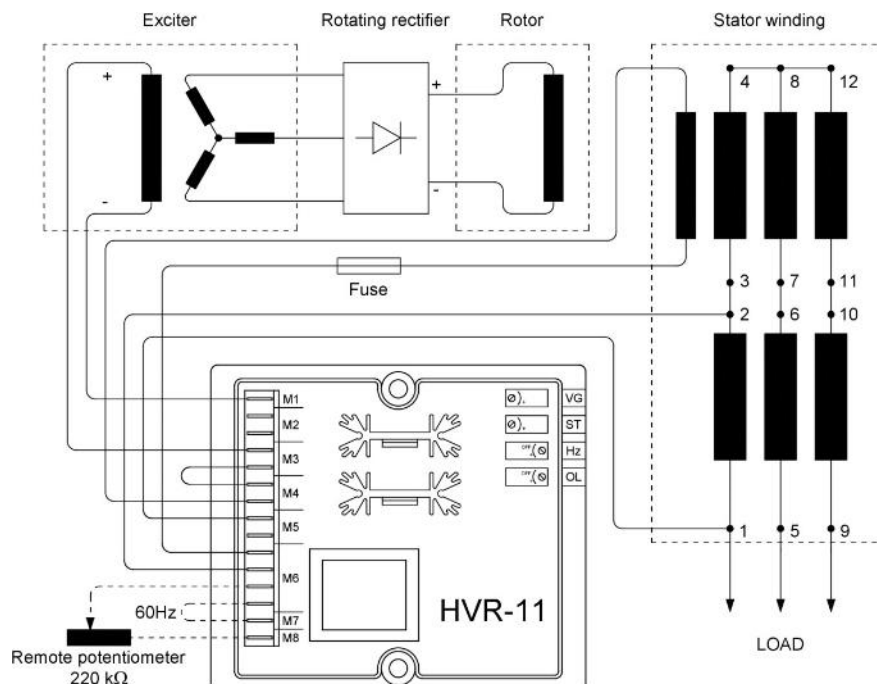
## MOMENT OF INERZIA

B3/B9	kg·m <sup>2</sup>	\
SAE 7½	kg·m <sup>2</sup>	0,511
SAE 8	kg·m <sup>2</sup>	0,521
SAE 10	kg·m <sup>2</sup>	0,537
SAE 11½	kg·m <sup>2</sup>	0,557
SAE 14	kg·m <sup>2</sup>	\
SAE 18	kg·m <sup>2</sup>	\
B3/B14	kg·m <sup>2</sup>	0,523

## DERATING CURVES



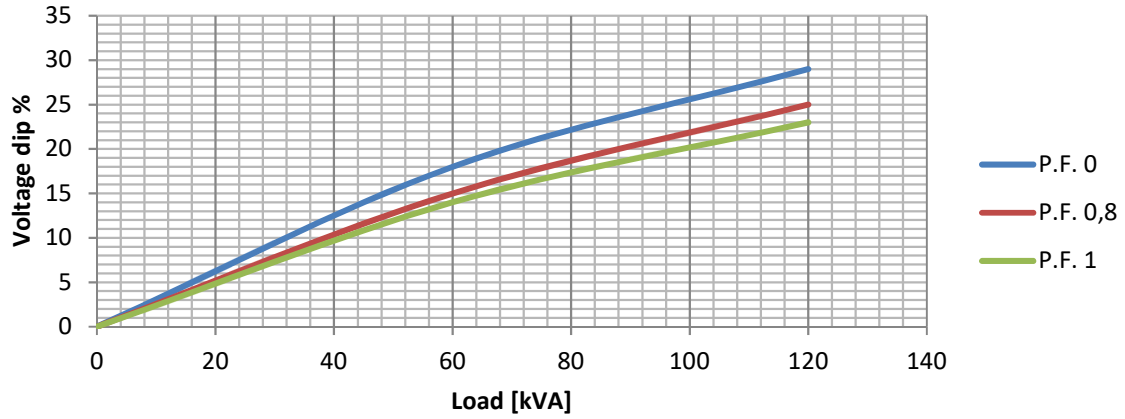
## WIRING DIAGRAM



# PRO18L G/4

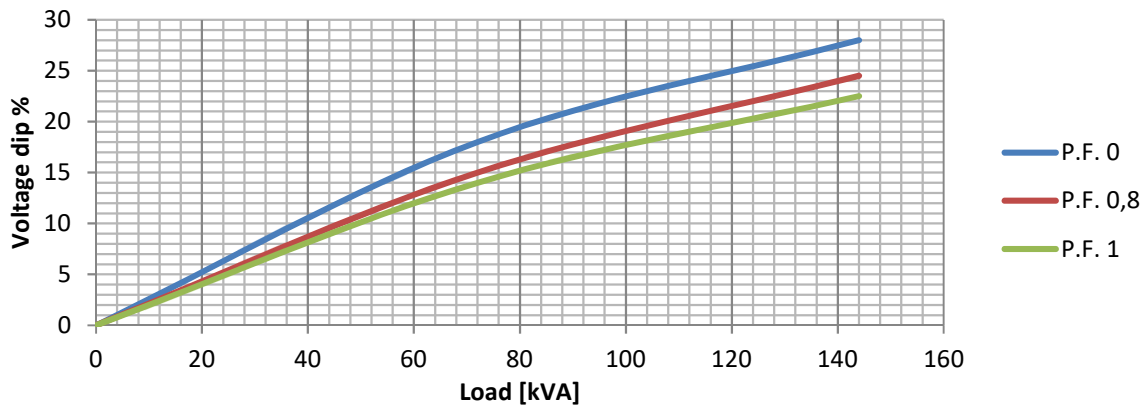
## TRANSIENT VOLTAGE VARIATION 50Hz

### Transient Voltage Variation @ 50Hz



## TRANSIENT VOLTAGE VARIATION 60Hz

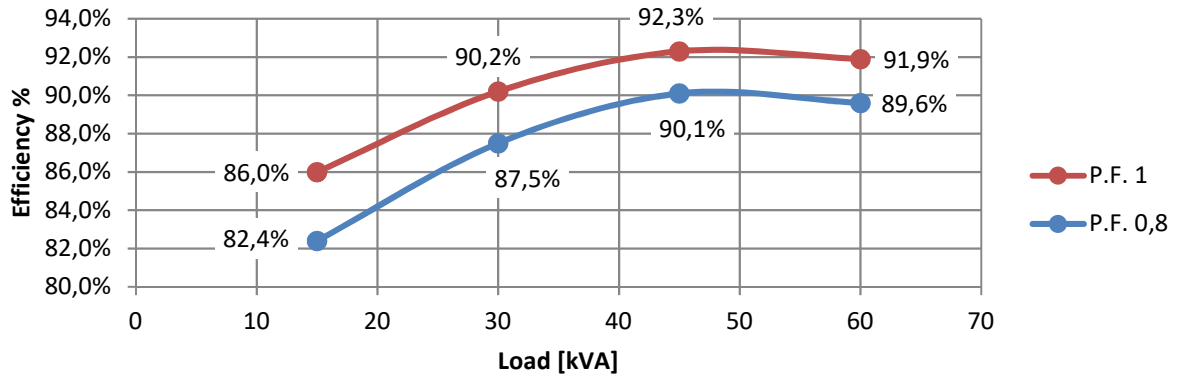
### Transient Voltage Variation @ 60Hz



# PRO18L G/4

## EFFICIENCY 50Hz

### Efficiency Curves @ 50Hz



## EFFICIENCY 60Hz

### Efficiency Curves @ 60Hz

