

TECHNICAL DATA SHEET



ALTERNATOR PROW18 400DC

DC brushless welder

PROW18 400DC

COMMON DATA

Rated Power at 50Hz	kVA	13	
Rated Power at 60Hz	kVA	15,6	
Rated Power Factor		0,8	
Nominal Temperature	°C	40	
Control System		self-excited	
Execution		brushless	
Insulation Class		H	
Protection		IP23	
Maximum Over speed	rpm	2250	
Overload		110% of rated power for one hour in a cycle of 6 hours	
Air Flow Requirement	m ³ /min	6,3 at 50Hz	6,5 at 60Hz
R.F.I. Suppression		Standard EN55011	

REGULATION DATA

Regulation		CS18 and HVR11	
Sensing		Single-Phase	
Voltage Regulation		±1%	

WINDING DATA

Rotor Winding		with damping cage	
Number of Leads of Stator		4	
Stator Winding Resistance	Ω	0,72 at 20°C	
Rotor Winding Resistance	Ω	2,61 at 20°C	
Exciter Stator Resistance	Ω	15 at 20°C	
Exciter Rotor Resistance	Ω	0,72 at 20°C	

STANDARD

References		EN60034-1 ISO8528-3 EN55011	
------------	--	-----------------------------	--

PROW18 400DC

ELECTRICAL DATA

No load voltage	V_{AC}	72
Welding voltage	V_{AC}	20-36
Regulation range	A_{AC}	35-400
Max. current at 35%	A_{AC}	400
Max. current at 60%	A_{AC}	310
Max. current at 100%	A_{AC}	240
Stator Winding Resistance	Ω	0,022 at 20°C
Electrodes type		basic; cellulosic; inox, rutile
Electrodes diameter	mm	1 - 6

MECHANICAL DATA

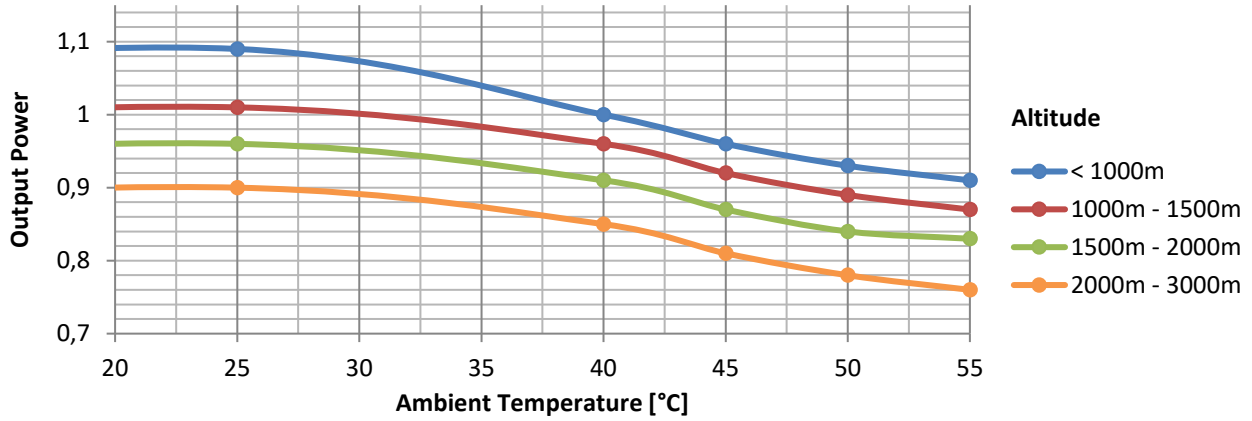
Bearing non drive end		6307-2RS-C3	
Bearing drive end (B3/B14 form)		6309-2RS-C3	
Weight of generator	in B2	kg	210
	in B3/B14	kg	212
	in B3/B9	kg	\

MOMENT OF INERZIA

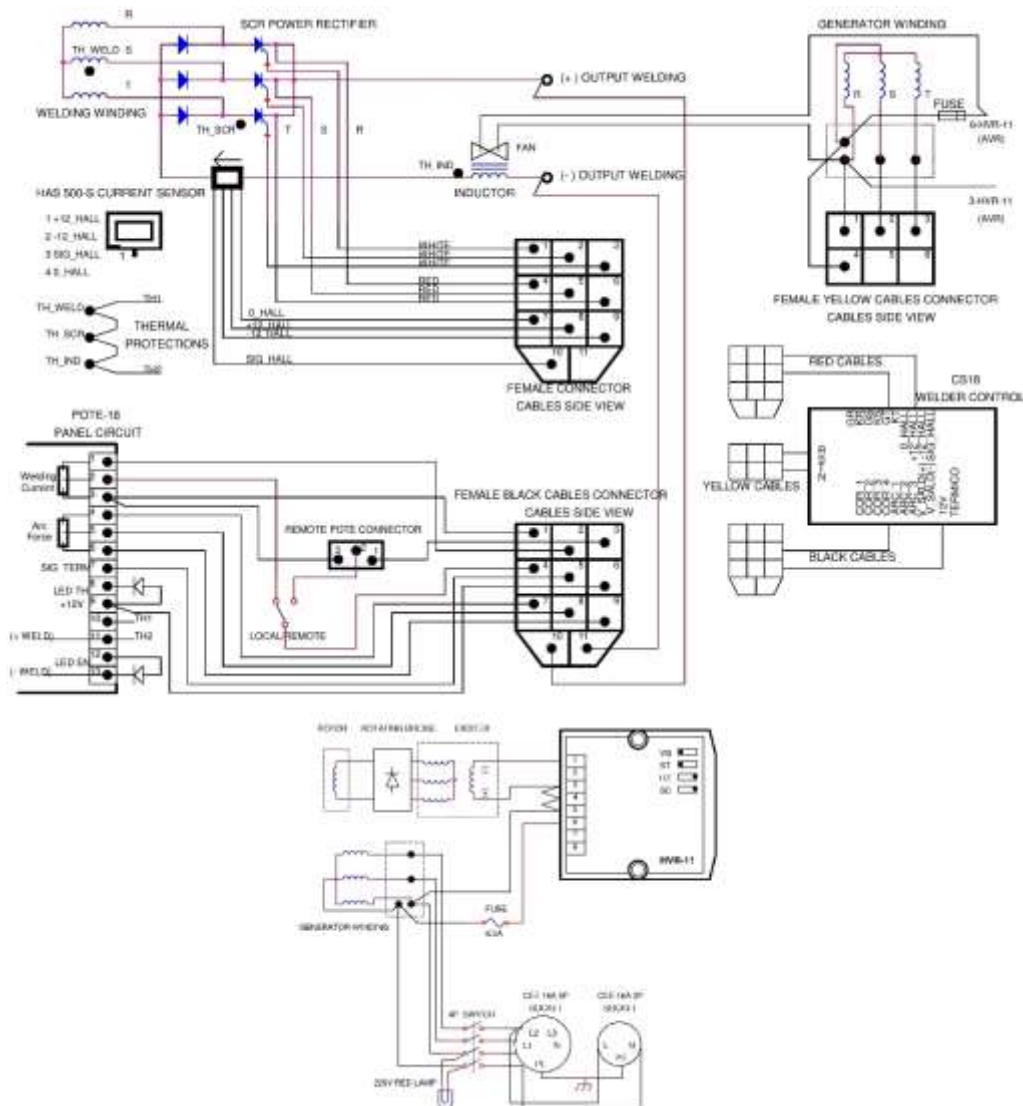
B3/B9	$kg \cdot m^2$	\
SAE 7½	$kg \cdot m^2$	0,244
SAE 8	$kg \cdot m^2$	0,253
SAE 10	$kg \cdot m^2$	0,270
SAE 11½	$kg \cdot m^2$	0,289
SAE 14	$kg \cdot m^2$	\
SAE 18	$kg \cdot m^2$	\
B3/B14	$kg \cdot m^2$	0,231

PROW18 400DC

DERATING CURVES

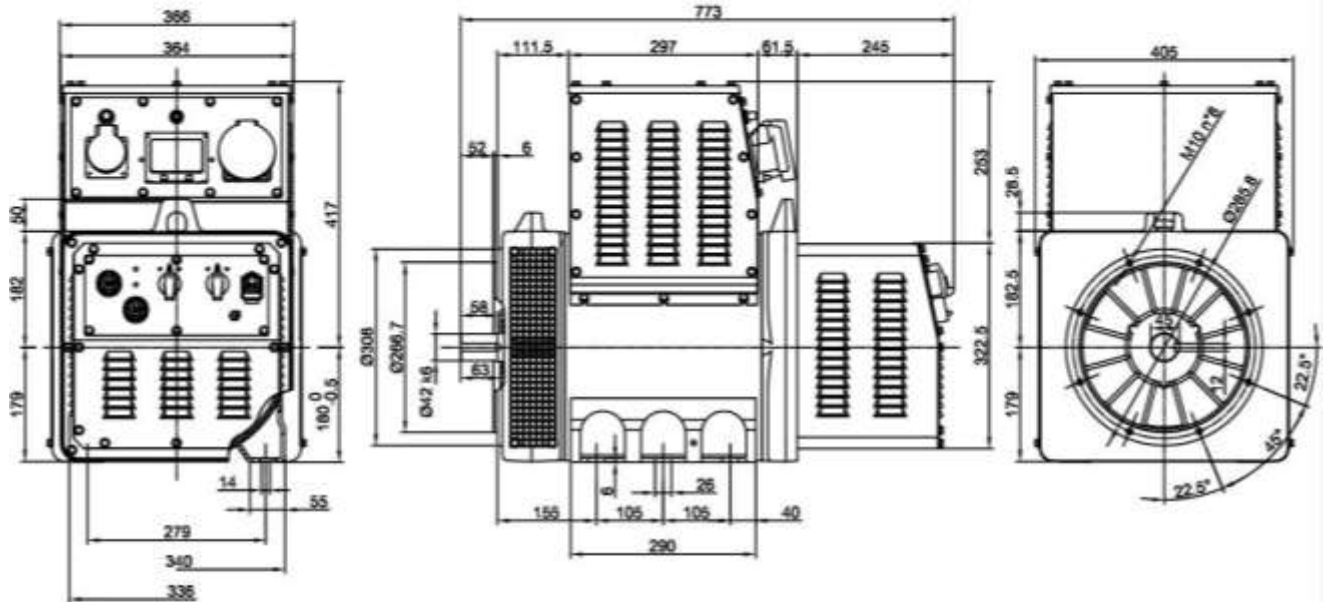


WIRING DIAGRAM

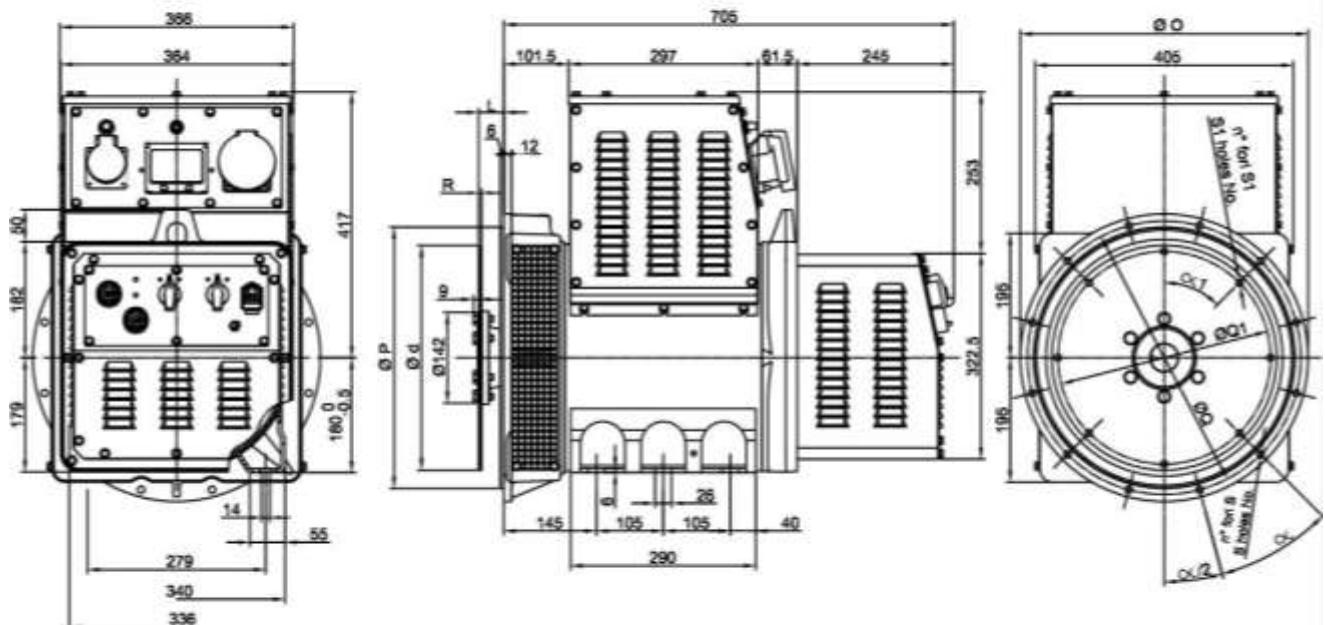


PROW18 400DC

FORMA - FORM B3/B14



FORMA - FORM MD35



SAE N.	Ø O	Ø P	Ø Q	n. fori holes No.	S	α
6	366	314.3	333.4	8	11	45°
4	482	362	381	12		30°
3	451	409.6	428.6	12		30°
2	490	447.7	466.7	12		30°

SAE N.	L	Ø d	Ø Q1	n. fori holes No.	S1	α1	R
6 1/2	30.2	215.9	200	8	9	60°	
7 1/2	30.2	241.3	222.25	8	9	45°	3
8	62	263.52	244.47	8	10.5	60°	
10	53.8	314.32	295.27	8	10.5	45°	
11 1/2	39.6	362.42	333.37	8	10.5	45°	4.5